



型号Model	扭矩Rated torque	无阻尼方向扭矩 Without direction of damping torque	力矩输出方向 Direction of Rotation
P17A0-L502	0.5±0.1N·m 5±1 kgf·cm	0.1N·m 1 kgf·cm	逆向Counter-Clockwise
P17A0-L702	0.7±0.1N·m 7±1 kgf·cm	0.2N·m 2 kgf·cm	逆向Counter-Clockwise
P17A0-L902	0.9±0.1N·m 9±1 kgf·cm	0.3N·m 3 kgf·cm	逆向Counter-Clockwise
P19A0-L902	0.9±0.1N·m 9±1 kgf·cm	0.3N·m 3 kgf·cm	逆向Counter-Clockwise
P19A0-L113	1.1±0.1N·m 11±1 kgf·cm	0.4N·m 4 kgf·cm	逆向Counter-Clockwise
P19A0-L133	1.3±0.1N·m 13±1 kgf·cm	0.5N·m 5 kgf·cm	逆向Counter-Clockwise
P23A0-L103	1.0±0.1N·m 10±1 kgf·cm	0.3N·m 3 kgf·cm	逆向Counter-Clockwise
P23A0-L123	1.2±0.1N·m 12±1 kgf·cm	0.4N·m 4 kgf·cm	逆向Counter-Clockwise
P23A0-L143	1.4±0.1N·m 14±1 kgf·cm	0.5N·m 5 kgf·cm	逆向Counter-Clockwise

注(1) 规格扭矩为标准负载旋转每秒钟15°, 温度23°C时测定的数据;
 注(2) 翻转变更安装位面, 使阻尼输出逆时针方向缓冲扭矩;
 注(3) 可以通过更换缓冲器粘性油的粘度提供特殊扭矩定制。
 (1) with torque for the standard load 15° rotating every second, when the temperature of 23 °C measurement data;
 (2) the reverse change positioning surface, make the damping output counterclockwise torque;
 (3) can provide customized special torque change buffer oil viscosity.

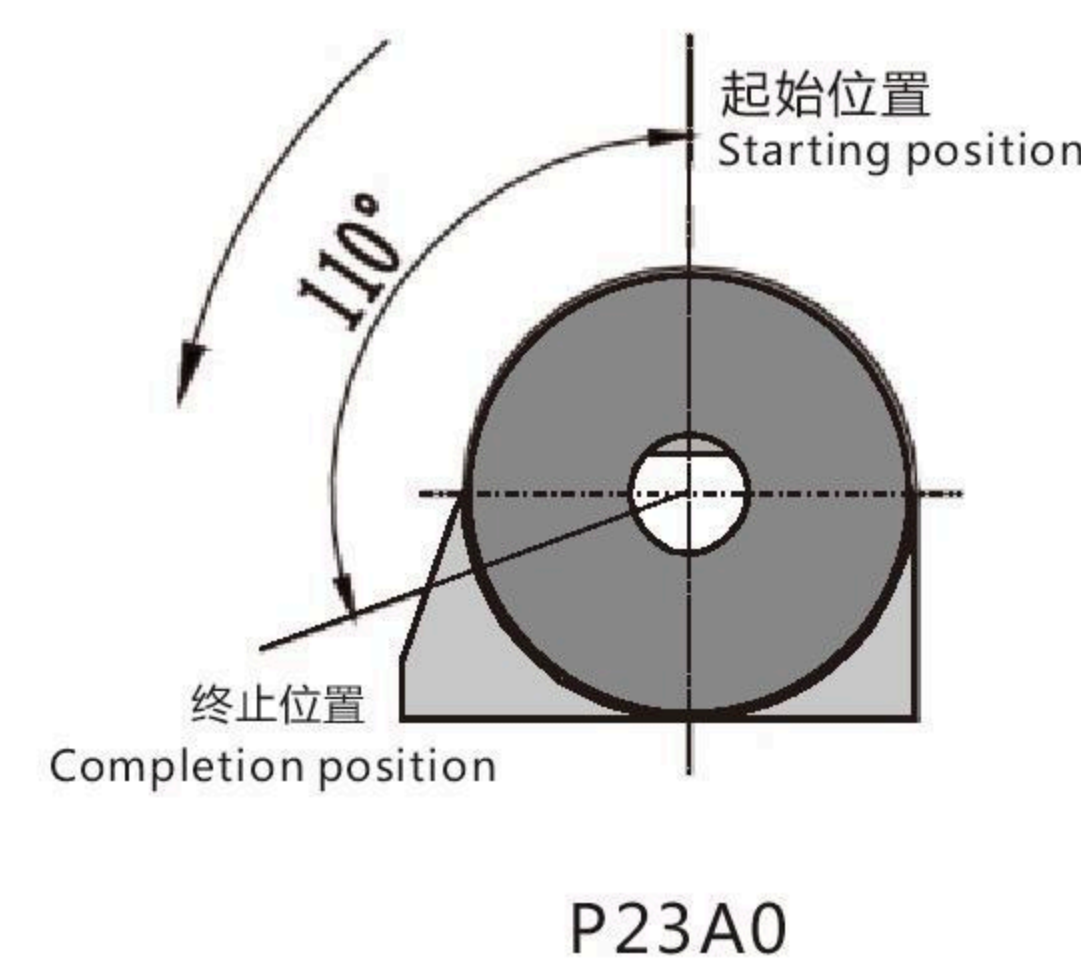
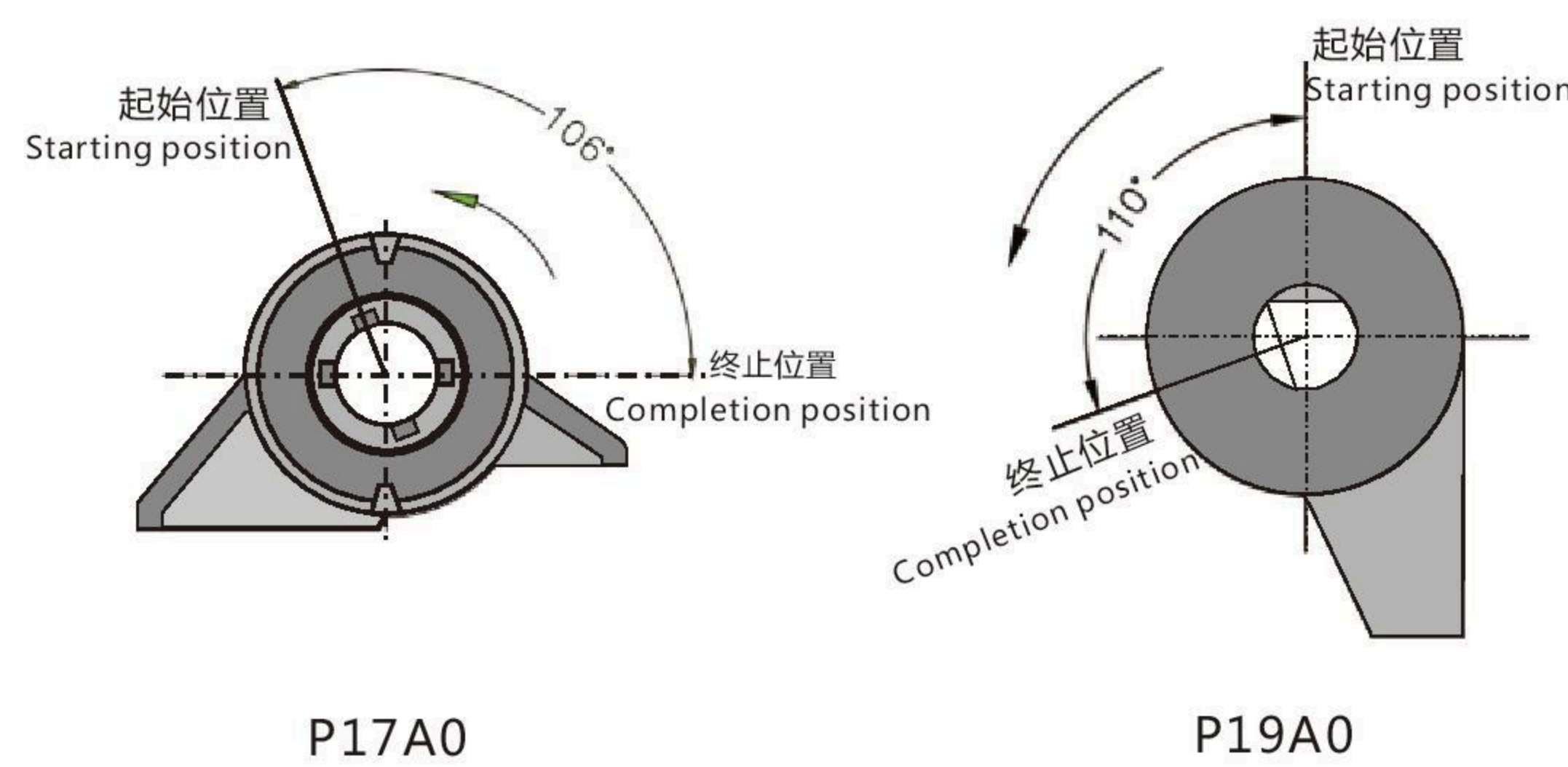
使用说明Directions for use

旋转轴孔和配合部件的间隙请尽量减少, 如果存在间隙, 旋转缓冲的速度也会受到影响;

The gap of rotating shaft hole and cooperate with the parts, please reduce as far as possible, if there is a gap, the speed of the rotary buffer would also be affected.

阻尼器的旋转缓冲角度为110°, 超过角度旋转时会损坏阻尼器本身, 并请在外部设计停止定位机构。

The rotation of the damper buffer Angle is 110°, more than Angle rotation will damage the damper itself, and please stop positioning in the external design.



产品描述Product Description

- 最大使用角度: 110°
- 最大使用温度范围: -5~ 60°C
- 产品外壳和端盖的材质:
- P17A0: POM
- P19A0及P23A0: PC
- 旋转轴材料:
- P17A0: POM
- P19A0及P23A0: ZDC
- 使用油: 硅油
- Using the Angle: 110°
- Operating temperature: -5~ 60°C
- Body & cap material
- P17A0: POM
- P19A0 and P23A0: PC
- Rotating shaft material
- P17A0: POM
- P19A0 and P23A0: ZDC
- Oil type: Silicone Oil

运用领域Using Field

目前广泛应用于电饭锅翻盖缓冲, 能有效降低产品使用中产生的撞击和噪音, 提高产品使用寿命。
 At present, widely used in the electric rice cooker flip buffer, can effectively reduce the impact and noise generated in the use of products, increasing the service life of the product.

外形尺寸Outside Diagram

