



产品描述 Product Description

最大使用角度:	300°
最大使用旋转速度:	50转/分钟 (1方向旋转)
最大使用频率:	10回/分钟 (1回为正180°反180°)
最大使用温度范围:	0~50°C
产品外壳和端盖的材质:	POM塑料
旋转轴材料:	POM塑料
使用油:	硅油
Using the Angle:	300°
Max. rotation speed:	50r/pm
Max. cycle rate:	10cycle/min
Operating temperature:	0~50°C
Body & cap material:	POM
Rotating shaft material:	POM
Oil type:	Silicone oil

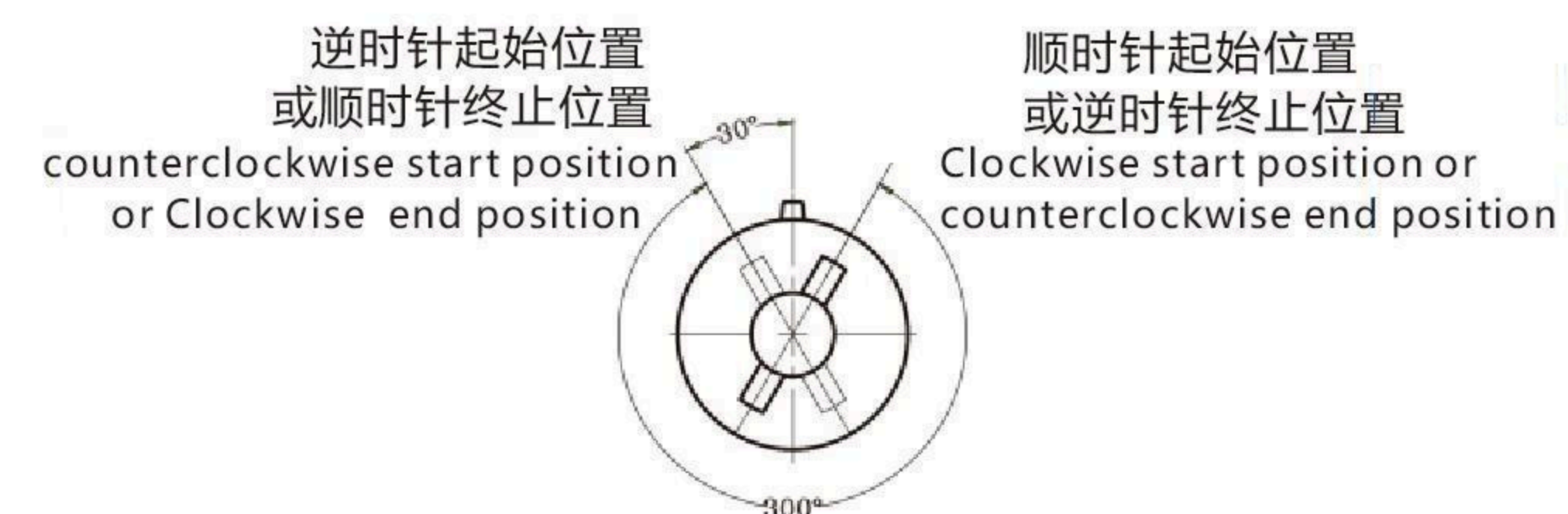
使用说明 Directions for use

旋转轴孔和配合部件的间隙请尽量减少, 如果存在间隙, 旋转缓冲的速度也会受到影响;

The gap of rotating shaft hole and cooperate with the parts, please reduce as far as possible, if there is a gap, the speed of the rotary damper would also be affected.

阻尼器的旋转缓冲角度为300°, 超过角度旋转时会损坏阻尼器本身, 并请在外部设计停止定位机构。

The rotation of the damper buffer Angle is 300°, more than Angle rotation will damage the damper itself, and please stop positioning in the external design.



型号 Model	扭矩 Rated Torque	力矩输出方向 Direction of Rotation
Y13D0-B301	3±0.6N·cm 300±60 gf·cm	双向 Bouth Direction
Y13D0-B501	5±1.0N·cm 500±100 gf·cm	双向 Bouth Direction
Y13D0-B701	7±1.4N·cm 700±140 gf·cm	双向 Bouth Direction
Y13D0-B901	9±1.8N·cm 900±180 gf·cm	双向 Bouth Direction
Y13D0-B112	11±2.2N·cm 1100±220 gf·cm	双向 Bouth Direction
Y13D0-B132	13±2.6N·cm 1300±260 gf·cm	双向 Bouth Direction
Y13D0-B152	15±3.0N·cm 1500±300 gf·cm	双向 Bouth Direction

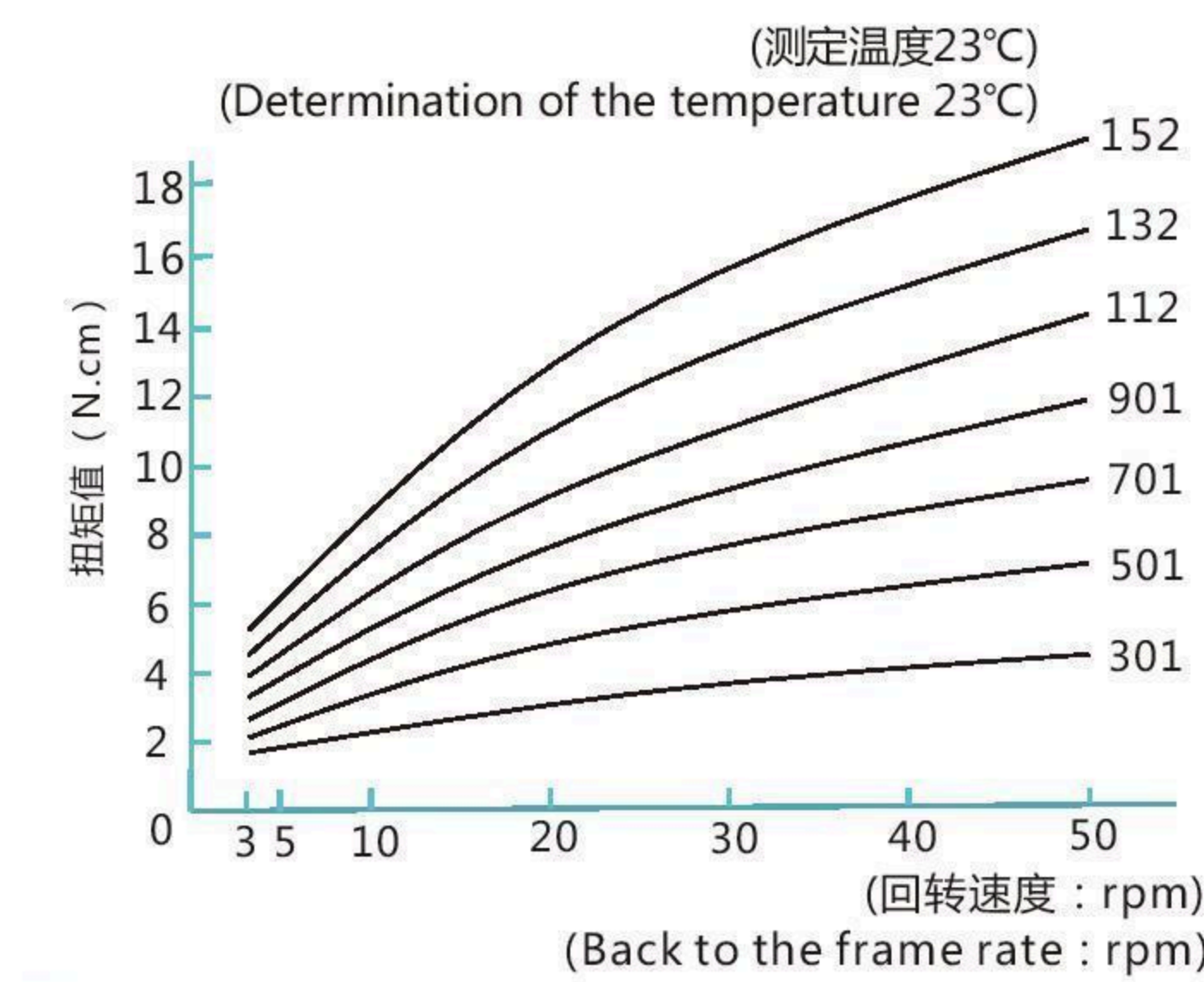
注(1) 规格扭矩为每分钟30转, 温度23±2摄氏度时的数据;
注(2) 可以通过更换缓冲器粘性油的粘度提供特殊扭矩定制。
(1) standard torque 30 rotations per minute (RPM), at 23 + / - 2 degrees Celsius temperature data;
(2) can provide special orders by changing the buffer oil viscosity.

缓冲器特性 Damper Characteristics

① 速度特性 Speed Characteristics

旋转型缓冲器根据回转速度的变化, 扭矩也发生变化。旋转速度升高扭矩也提高, 速度放慢扭矩也随之下降;

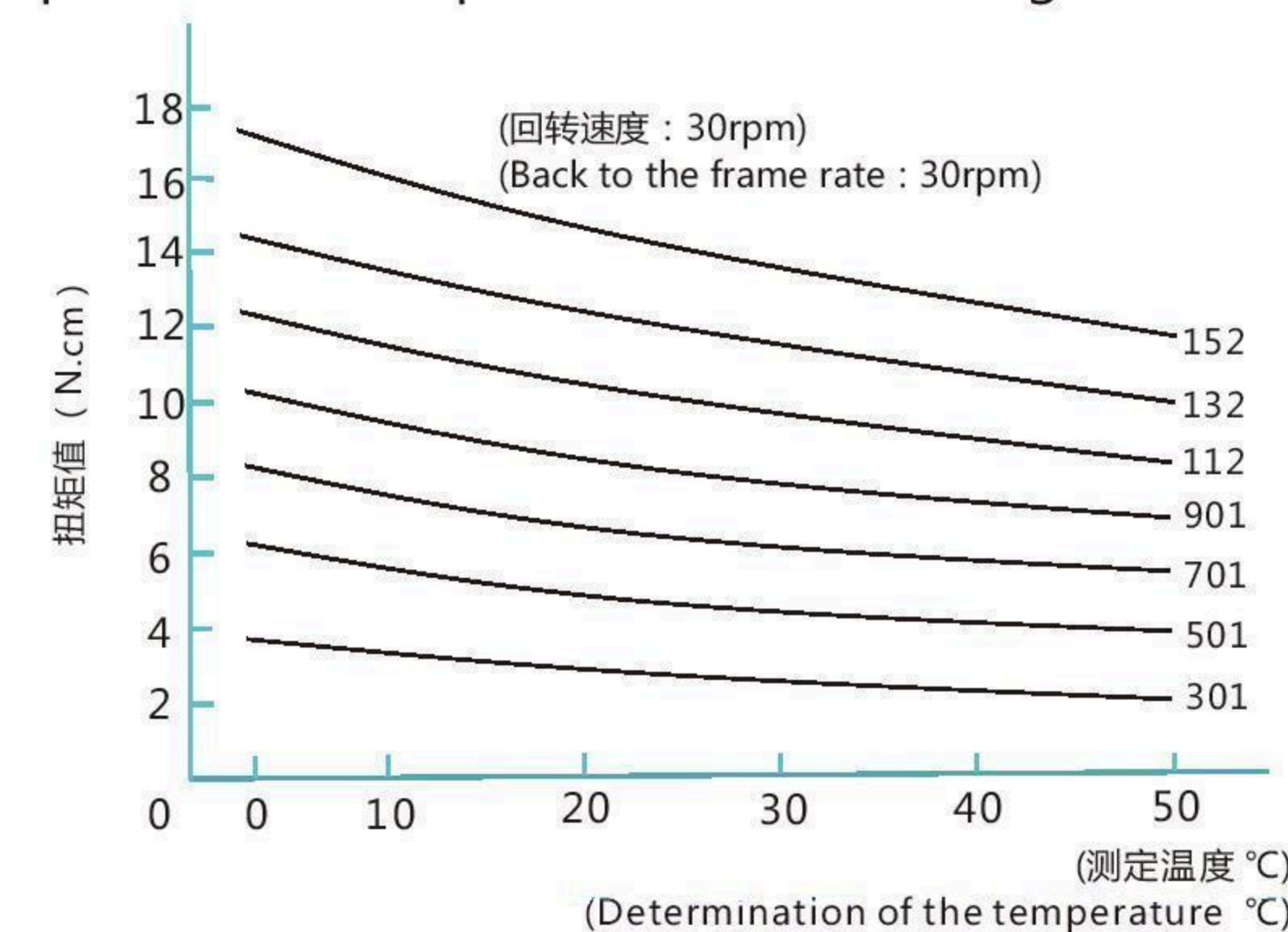
Rotary type buffer according to the change of rotating speed, torque is also changing. Also improve the speed torque, speed torque;



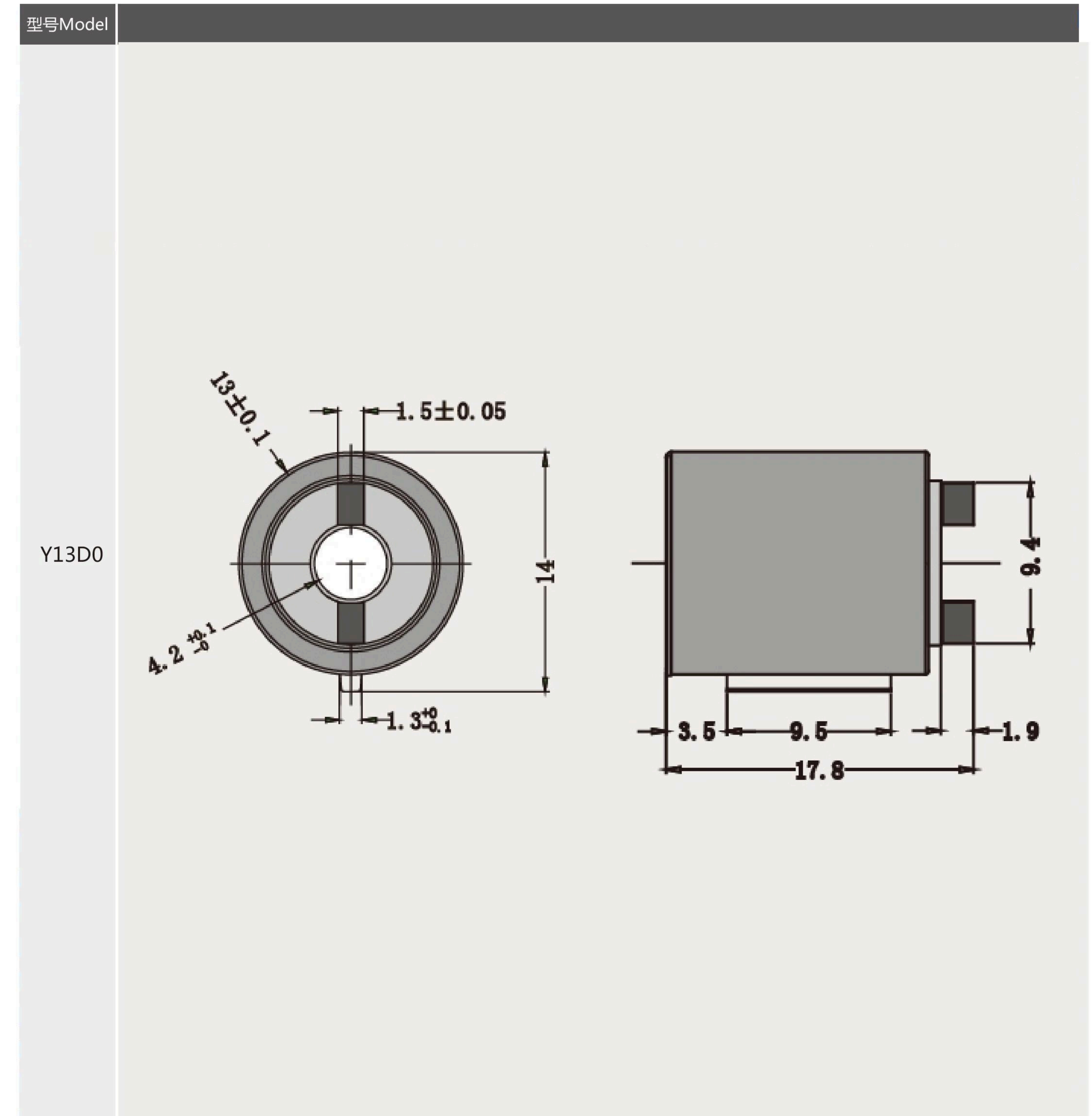
② 温度特性 Temperature characteristic

旋转型缓冲器根据使用环境温度的变化扭矩也发生变化。环境温度升高时扭矩下降, 环境温度下降时扭矩升高。这是因为环境温度变化时粘性油的粘度也随之变化的缘故。但是当环境温度恢复到常温时, 扭矩也会恢复到原来的数值。

Rotary type damper according to the change of environmental temperature torque also change. Torque when environment temperature drop, torque increases when the environment temperature decreases. This is because the environment temperature changes because of viscous oil viscosity changes. But when the environment temperature back to normal temperature, the torque will restore to its original value.



外形尺寸 Outside Diagram



运用领域 Using Field

目前广泛应用于小翻盖板、车窗拉手、垃圾桶类产品上, 配合弹簧缓冲, 能有效降低产品使用中产生的撞击和噪音, 提高产品使用寿命。
Is currently widely used in the small cover board, the window handle, trash products, with the buffer spring, can effectively reduce the impact and noise generated in the use of products, increasing the service life of the product.