



型号Model	扭矩Rated Torque	力矩输出方向 Direction of Rotation
M23D1(2)-R221	2.2±0.5 N·cm 220±50 gf·cm	顺向Clockwise
M23D1(2)-L221	2.2±0.5 N·cm 220±50 gf·cm	逆向Counter-Clockwise
M23D1(2)-R401	4.0±0.7 N·cm 400±70 gf·cm	顺向Clockwise
M23D1(2)-L401	4.0±0.7 N·cm 400±70 gf·cm	逆向Counter-Clockwise
M23D1(2)-R701	7.0±1.2 N·cm 700±120 gf·cm	顺向Clockwise
M23D1(2)-L701	7.0±1.2 N·cm 700±120 gf·cm	逆向Counter-Clockwise
M23D1(2)-R122	12.0±2.0 N·cm 1200±200 gf·cm	顺向Clockwise
M23D1(2)-L122	12.0±2.0 N·cm 1200±200 gf·cm	逆向Counter-Clockwise

注(1) 规格扭矩为每分钟30转, 温度23±2℃时测定的数据。
 注(2) 可选择配带不同行程的齿条, 如需配带齿条, 请咨询本公司销售人员。
 注(3) 可以通过更换缓冲器粘性油的粘度提供特殊扭矩定制;
 注(4) 可通过改变直线辅助机构的安装方向, 使阻尼器输出不同方向的缓冲扭力。
 (1) standard torque 30 rotations per minute (RPM), at 23 + 2°C temperature data.
 (2) the optional display rack, if you want to display rack, please consult the sales staff of the company.
 (3) can provide special orders by changing the buffer oil viscosity.
 (4) But by changing the installation direction of linear auxiliary mechanism, make the damper output buffer torsion in various directions.

产品描述Product Description

最大使用旋转速度: 50转/分钟 (1方向旋转)
 最大使用频率: 10回/分钟 (1回为正360°反360°)
 最大使用温度范围: 0~ 50℃
 产品外壳和端盖的材质: PC塑料
 回转轴和齿轮的材料: POM塑料
 使用油: 硅油

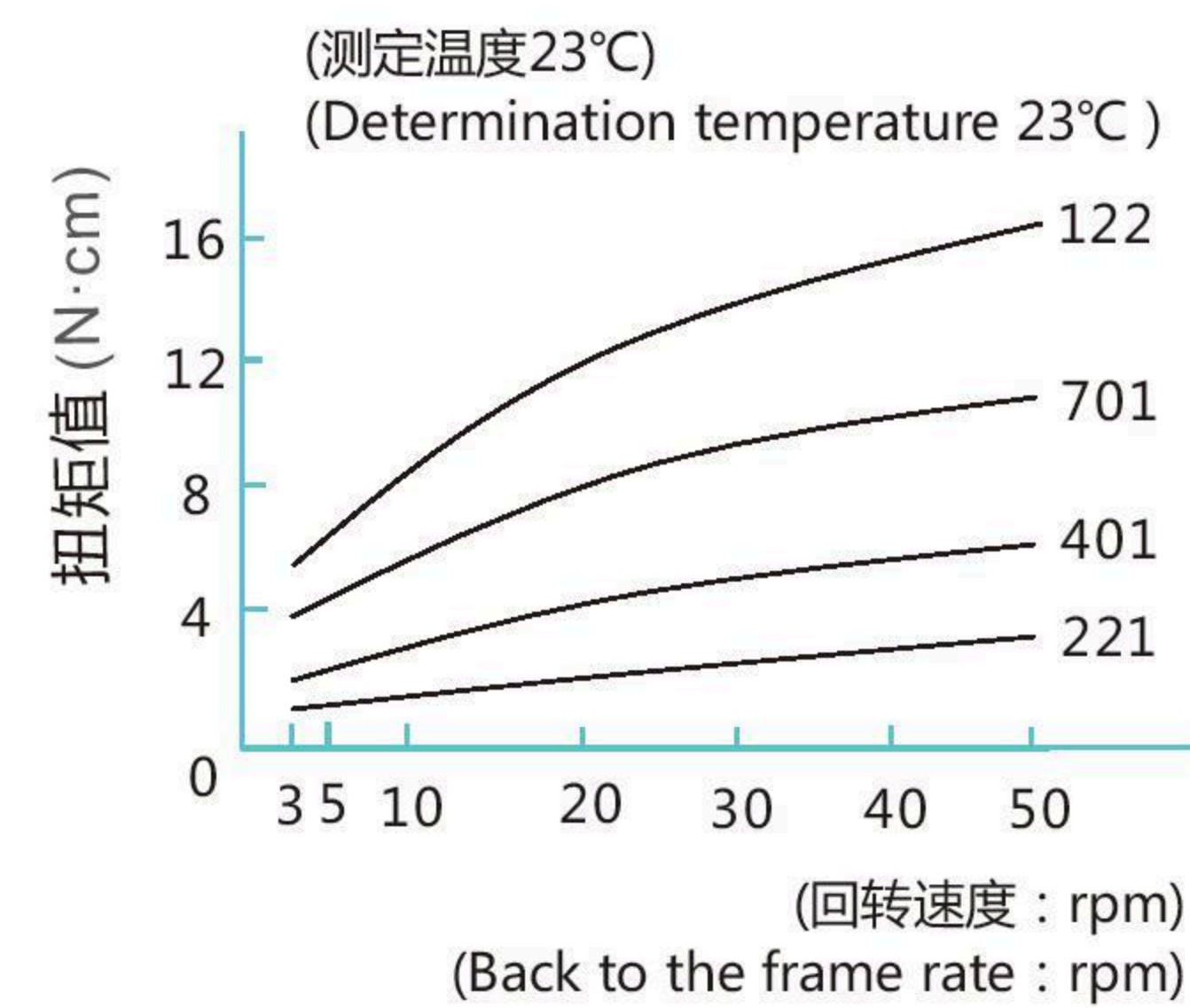
Max. rotation speed : 50r/pm
 Max. cycle rate : 10cycle/min
 Operating temperature : 0~ 50°C
 Body & cap material: PC
 Rotating shaft and gear materials: POM
 Oil type : Silicone oil

阻尼器特性Damper Characteristics

1 速度特性Speed characteristics

旋转阻尼器根据回转速度的变化, 扭矩也发生变化。其变化规律为: 速度提高, 扭矩也提高。速度放慢, 扭矩也随之下降。启动时扭矩与标准扭矩不同。

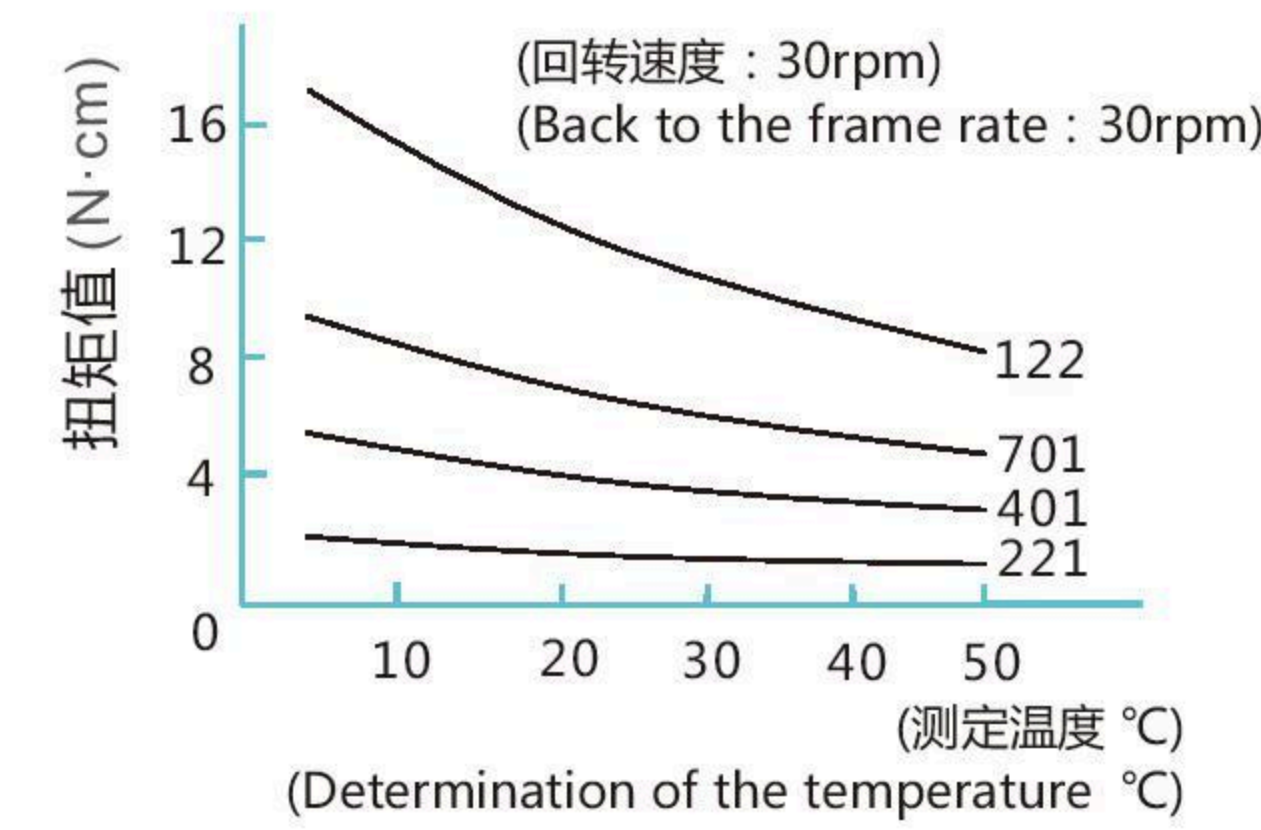
Rotary damper according to the change of rotating speed, torque is also changing. Its change rule is: speed, torque is also improved. Speed and torque. When starting torque is different from standard torque.



2 温度特性Temperature characteristic:

旋转阻尼器根据使用环境温度的变化, 扭矩也发生变化。其变化规律为: 环境温度提高时扭矩下降, 环境温度下降时扭矩升高。这是因为环境温度变化时, 阻尼器中粘性油的粘度也随之变化的缘故。但是, 当环境温度恢复到常温时, 扭矩也会恢复到原来的数值。

Rotary damper according to use the change of environmental temperature, torque is also changing. Its change rule is: the environment temperature increase the torque, torque increases when the environment temperature decreases. This is because the environment temperature changes, damper in viscous oil viscosity changes. However, when the environment temperature back to normal temperature, torque will restore to its original value.

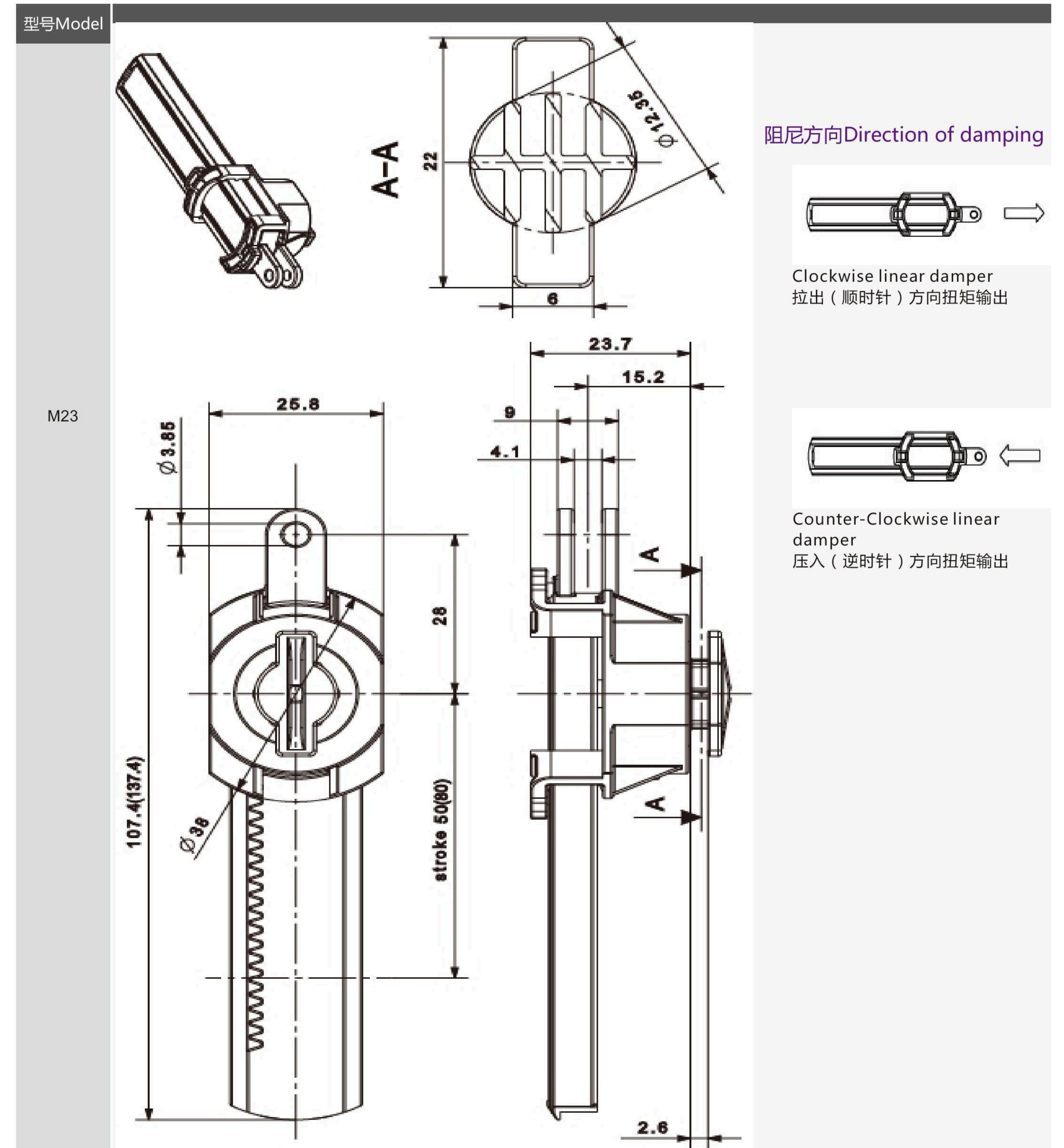


运用领域Using Field

目前广泛应用于垃圾桶翻盖缓冲、衣柜门缓冲, 橱柜门缓冲等, 能有效降低产品使用中产生的噪音, 使运动更柔顺。

Is widely used in the small drawers, cabinets, drawers, flip flip cover, furniture door, acoustics, such as the beverage holder flip, slip, slide products, can effectively reduce the impact and noise in the product use, improve the service life of the product.

外形尺寸Outside Diagram



外形尺寸Outside Diagram
 M23D1:行程Stroke 50mm,总长Length107.4mm;
 M23D2:行程Stroke 80mm,总长Length137.4mm